

Tapboxes UK Ltd RECESSED TAP BOX DATA SHEET



This durable outside recessed tap box is manufactured from zinc plated plastic coated sheet steel. The design of the box enables it to be fitted either way up, so that the door can be opened from the left or right.

Can be lockable for authorised use only.

The outer cover is slightly larger so none of the recessed part of the box is visible when fitted.

Note: The unit is designed to help protect against fluctuations in severe weather conditions. In extreme conditions it is advisable to disconnect the tap from the water supply to avoid frost damage.



SPECIFICATION

Material Plastic coated zinc plated sheet steel
Avail. White, Black, Brown, Galv. Finish

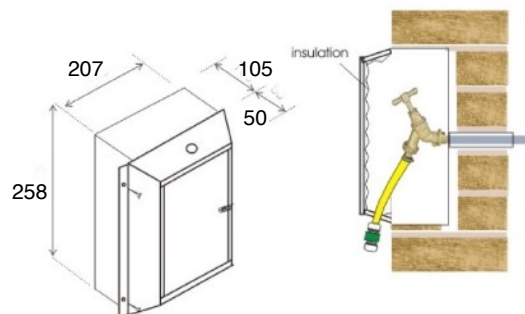
Dimensions H. 258mm. W. 207mm. D 105mm Projection 50mm

Insulation 10mm Styrofoam insulation
Additional 19mm Climaflex foam insulation supplied to cover the tap.
Thermal performance 0.033 W/mK.
Water repellent 100%
Complies with BS5422 insulation requirement

Security The box comes with a secure latch which can accommodate your own padlock.
(cam lock & 2 keys are also available.)

Complete with fixings:

- 1 x 1/2" Brass bib tap
 - 1 x 200mm copper wall tube
 - 1 x 1/2" Hose connector
 - 1 x 260mm. 1/2" Hose
 - 2 x Rubber grommets
 - fixing screws
 - 1 x Foam insulation pack inc. foam insulation & zip ties
- Complete with instructions.



The outer cover is slightly larger so none of the recessed part of the box is visible when fitted.

Tapboxes UK Ltd, 2 Moss Cottage., Mossfields, Kidsgrove, Stoke on Trent. ST7 1EL
Tel. 01782 786821. email. sales@tapboxes.co.uk. www.tapboxes.co.uk
Company No. 10465645. Vat no. 217089603. Registered in England & Wales.