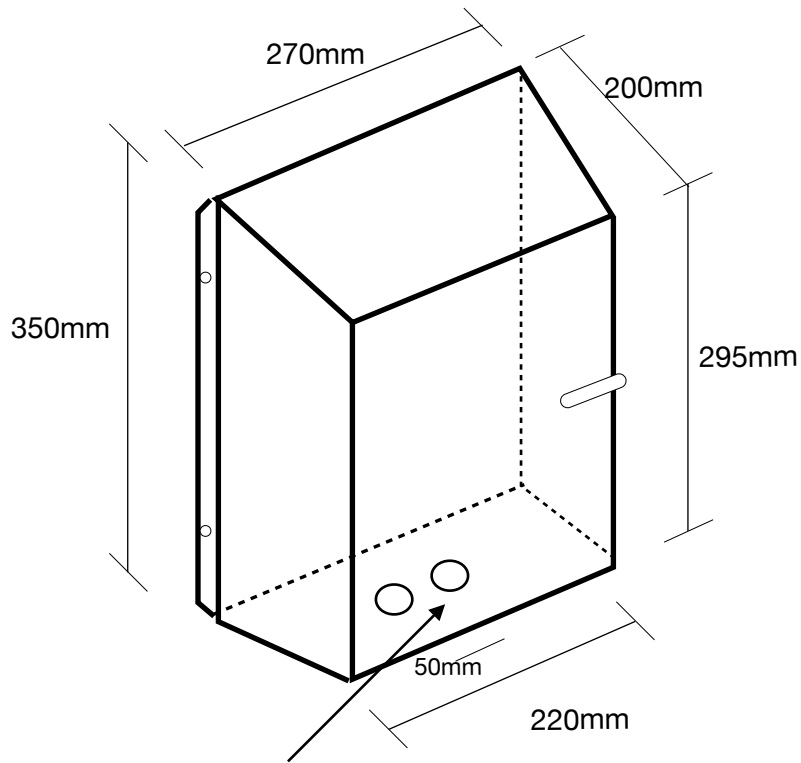


## Large Tap Box.

External dimensions. Excluding flange.  
For internal dimensions, allow for the 12mm insulation.



25mm Hole with rubber grommet = 20mm hole.  
Set at 85mm centre from the front of the box.  
Hole to the left 50mm centre.

