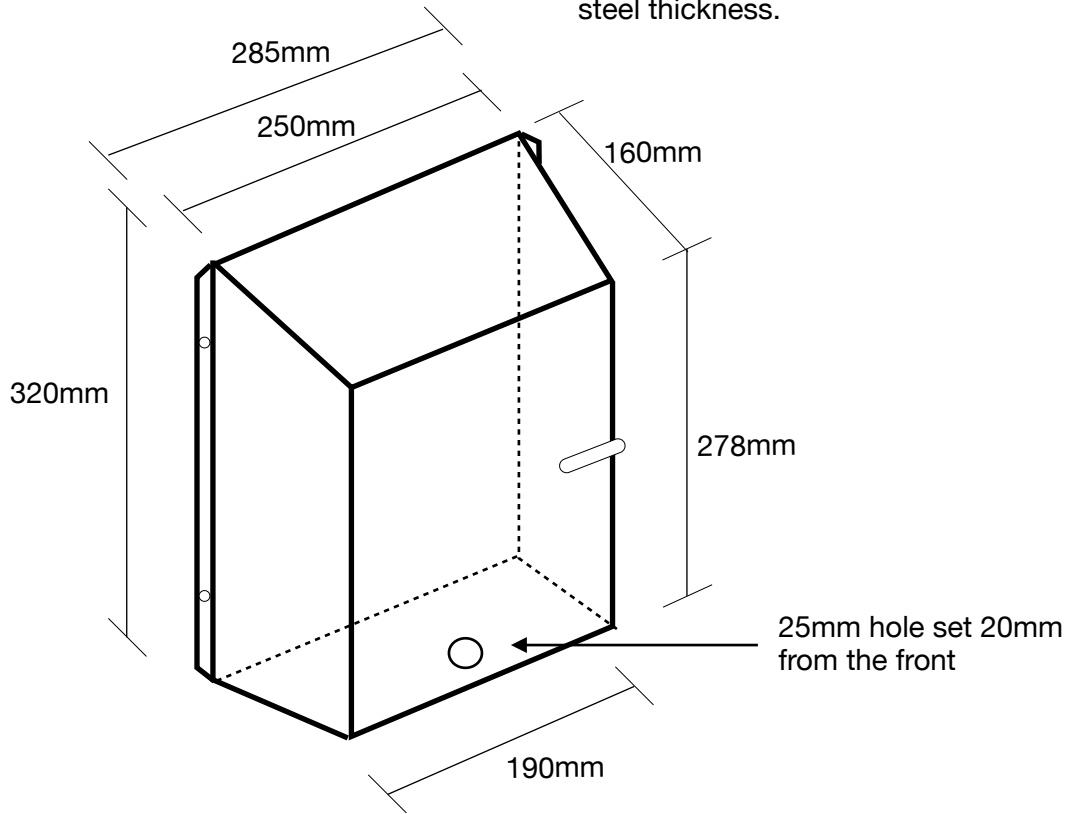


Standard Tap Box.

External dimensions.  
For internal dimensions, allow for the 12mm insulation and 1mm steel thickness.



12mm foam insulation

