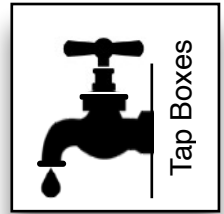


Tap Boxes UK Ltd
TAP BOX DATA SHEET



Insulated wall mounted outside Tap Box.

Can be lockable for authorised use only.

Manufactured from Plastic Coated Steel.

Internal surfaces insulated. Also additional foam to be fitted over your tap.

Note: Unit is designed to help protect against fluctuations in severe weather conditions. In extreme conditions it is advisable to disconnect the tap from the water supply to avoid frost damage

SPECIFICATION

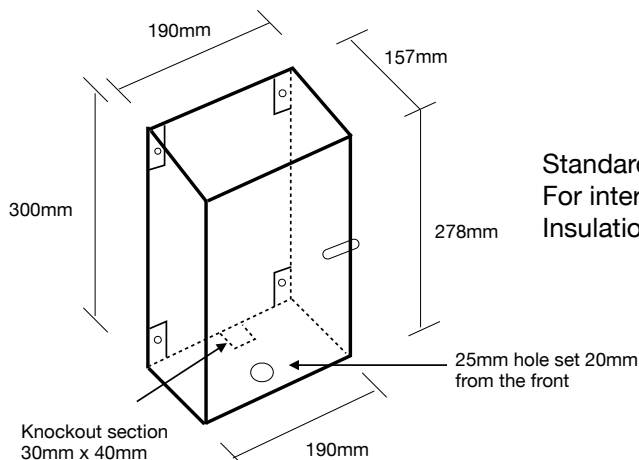
Material Plastic Coated Steel
Colour: Black

Outside measurement (overall). The box is tapered.
H 300mm. x W 190mm x D 157mm.

Insulation Insulated with 12mm Insulation.
Additional 19mm Climaflex foam insulation supplied to cover existing tap.
Thermal performance 0.033 W/mK.
Water repellent. 100%.
Complies with BS5422 insulation requirement,

2 x zip ties.
Complete with fixings

(option cam lock & 2 keys available)



Standard Tap Box - External Dimensions
For internal dimensions allow for the 12mm Insulation and 1mm steel thickness.